

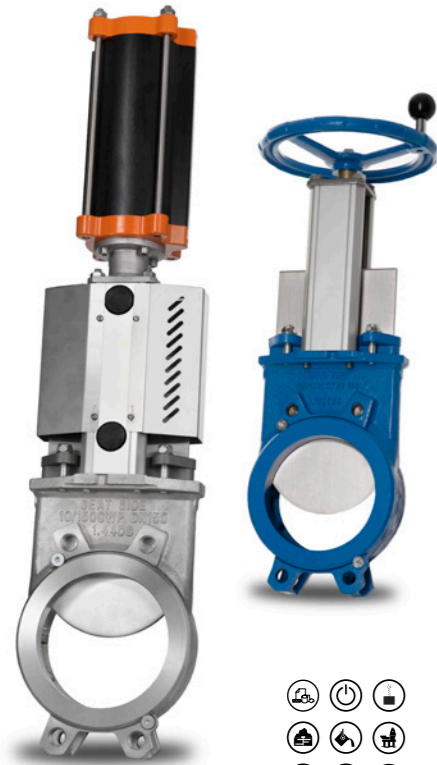
Stafsjö
SINCE 1666

FIRST IN KNIFE GATE SOLUTIONS



V&A

Product range



MV

This is a standard high performance valve for on-off and control in both wet and dry processes. Extremely reliable shut-off performance have made it popular amongst users worldwide for decades. The modular design and simple maintenance makes it also easy to achieve low cost of ownership.



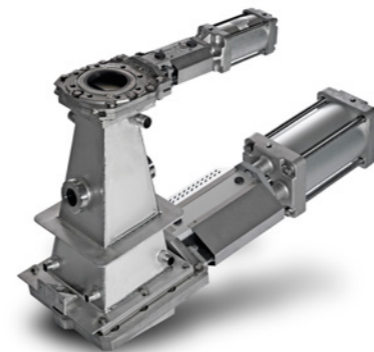
WB, WB11, WB12 and WB14

This performance range seal tight independent of pressure direction and features valve body bores with no pockets where the media can collect. This makes them ideal for water treatment and biomass installations among many others.



XV

The retainer ring sealing system on both sides of the gate assure perfect gate guidance, high resistance to pressure peaks and a bi-directional tight shut-off. XV is supplied with either a fully or a semi lugged valve body.



Junk Trap JT

This product is designed for cleaners to minimize turbulence, erosive wear and build-up of solids and reject material. It is supplied with RKO on top, the square JTV in the bottom and the reject tank in between the two valves.



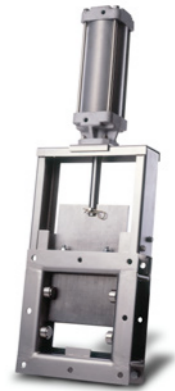
RKO

This is a robust valve for high density cleaners containing large amount of abrasive and difficult solids. A straight bevel gate edge cut through and provide a tight seal against the seat while the larger square outlet enable full release of difficult media at drain sequence.



SLH and SLX

Our most extreme slurry valves for high pressure tailing systems that requires 20 up to 50 bar pressure rated valves.



RKS

This is a welded isolating valve for wet or dry low pressure systems with sludge, powder or granulate. Sizes ranges from 200 mm up to 1000 mm, with either a square or rectangular bore.



TV

This is an isolation valve for tanks which require a short face-to-face. With origin in the MV valve, the TV features a unique flange drilling pattern and actuator which enable direct assembly on the tank. Any transmitters can be dismantled without draining the tank.



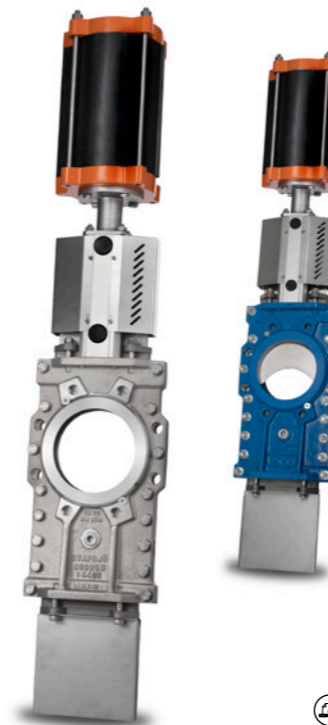
WB14E

This is a resilient seated high performance shut-off valve with superior flow characteristics, offering bi-directional zero leakage shut-off. The fully lugged body design makes it also suitable for dead-end services.



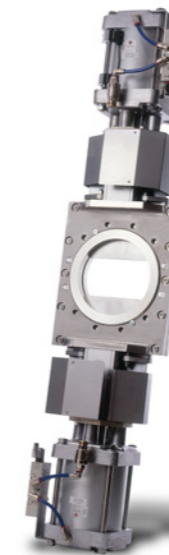
SLV and SLF

These push through slurry valves are recommended for highly abrasive and demanding slurry. SLV is the compact lugged high performance version while SLF is the wide body fully flanged heavy duty version.



HL, HG, HP and HPT

Stafsjö's knife gate valves with through-going gates are known for their superior flow characteristics and reliable bi-directional zero leakage shut-off on highly concentrated media and static media columns. They are ideal pulp tower isolation valves, available in several pressure ratings and materials making it easy to customize to different process conditions.



D2G

The D2G have two hard chromed gates working towards each other in the bore providing extremely fast operation. It is suitable for stock preparation and wood chip cleaners or as junk traps in recycled fibre lines.



HX

With origin in Stafsjö's HP range this is an all-over reinforced version capable of handling the most demanding high pressure applications. It is supplied in stainless steel as standard but SMO 254 and Titanium versions are also available for chlorine and bleaching stage in pulp related processes.



Pulp and Paper



Mining



Steel



Power



Offshore



Chemical



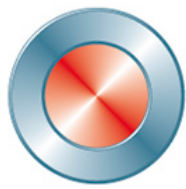
Water treatment



Biomass



Food and Beverage



Stafsjö
SINCE 1666

About Stafsjö

Many major players in within pulp and paper, mining, steel, power, offshore, chemical, water treatment, biomass, food and beverage depend on our knife gate valves reliability and performance every minute, every day year after year. Some of the valves have been in operation for decades and still perform when required.

We manufactured our first valve in 1881. Decades of experience and co-operation with customers combined with our strong focus on quality, production efficiency and valve development, have resulted in a wide range of knife gate valves characterised by innovation, reliability and high performance.

Through our sister company Ebro Armaturen and external sales partners across the world we are able to provide fast deliveries, high quality service and support to local markets worldwide.

Further information is available on www.stafsjo.com.



**Valve
& Automation**
Total Valve & Control Solutions®

JOHANNESBURG
Tel: 011 397 2833

DURBAN
Tel: 031 579 2593

South Africa:
0861 103 103

E-mail: sales@valve.co.za
www.valve.co.za



SCAN ME