

## ACCUTRAK™ ROTARY POSITION MONITORS

FLAMEPROOF - ATEX/IEC

Rotary position monitors certified to Exd Flameproof and specifically engineered for hazardous environments. Available with a range of position sensors and switches



### FEATURES

- Flameproof design meeting a wide range of worldwide approvals.
- Touch set cams are hand adjustable, spring loaded and self-locking providing quick calibration of position switches and sensors.
- Strong durable Beacon™ offers 360° visual indication in a choice of styles and colors.
- Terminal strips are pre-wired and numbered with generous working space for ease of use.
- Additional conduit for easy field wiring and mounting accessories as standard.
- Wide range of switches and sensors.
- Position transmitter option.
- Switch stabilisation plate.
- Standardized mounting pattern for easy adaptation to common bracketry.
- Range of drive shaft options.
- Aluminum enclosures with ultra-low copper content (0.2% maximum) ensure robust performance in corrosive environments.
- Rugged stainless steel enclosures.
- IP rated plugs certified where applicable.

### TECHNICAL DATA

#### Agency approvals

Area classification (ATEX/IEC)

2200 series Ex II 2G  
Ex d IIB +H2  
Ex tD A21 IP6X

2600 series Ex II 2G  
Ex d IIC  
Ex tD A21 IP6X

Enclosure standards (IEC)

All enclosures IP66/67

#### Switches

All models V3 SPDT mechanical switches  
All models DPDT mechanical switches  
All models V3 slotted and barrel inductive proximity sensors  
All models Magnum SPDT (hermetically sealed proximity type) switches  
2200 Series GO hermetically sealed switches

#### Enclosures

All models Aluminum  
Stainless steel CF8M (316)  
Option Stainless steel CF3M (316L)

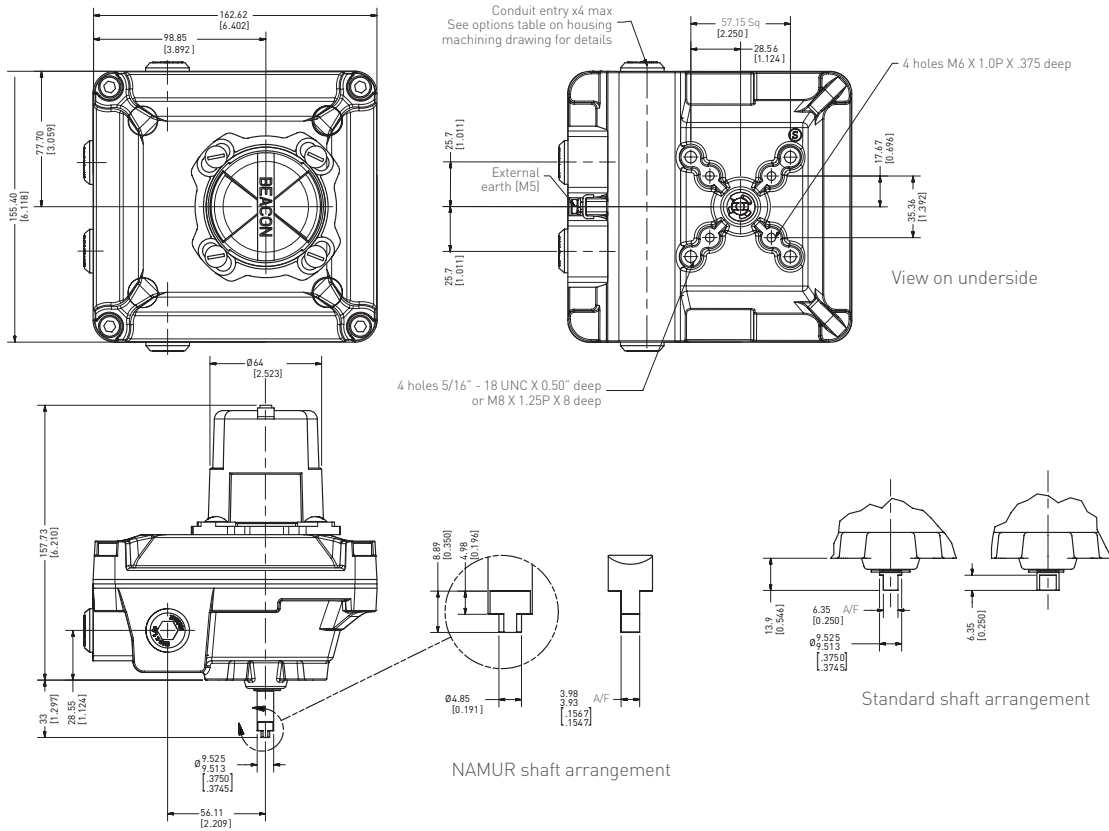
### GENERAL APPLICATION

AccuTrak position monitors are ideal for manual and automated rotary valves. They provide consistent and accurate valve monitoring in a compact unit which can be mounted directly or via a valve actuator.

# ACCUTRAK™ ROTARY POSITION MONITORS

## FLAMEPROOF - ATEX/IEC

### 2200 SERIES ENCLOSURE DIMENSIONS



Dimensions in mm, imperial dimensions (inches) in parenthesis

### TECHNICAL SPECIFICATIONS

Materials of construction	
Enclosure	Aluminum with powder coat finish Stainless steel with electropolished finish
Temp. range	-30°C to +85°C (Flat cover -20°C to +85°C)
Shaft and hardware	Stainless steel
Bushing	Oil impregnated bronze (aluminum enclosure) PTFE (stainless steel enclosure)
Beacon visual indicator	Co-polyester
Drive shaft	
Westlock standard	Double-D with 1/4" A/F
NAMUR standard	NAMUR standard VDI/VDE 3845
Available switches	
	V3 SPDT mechanical switches
	DPDT mechanical switches
	V3 slotted and barrel inductive proximity sensors
	Magnum SPDT (hermetically sealed proximity type) switches
	G0 hermetically sealed switches

### NOTES

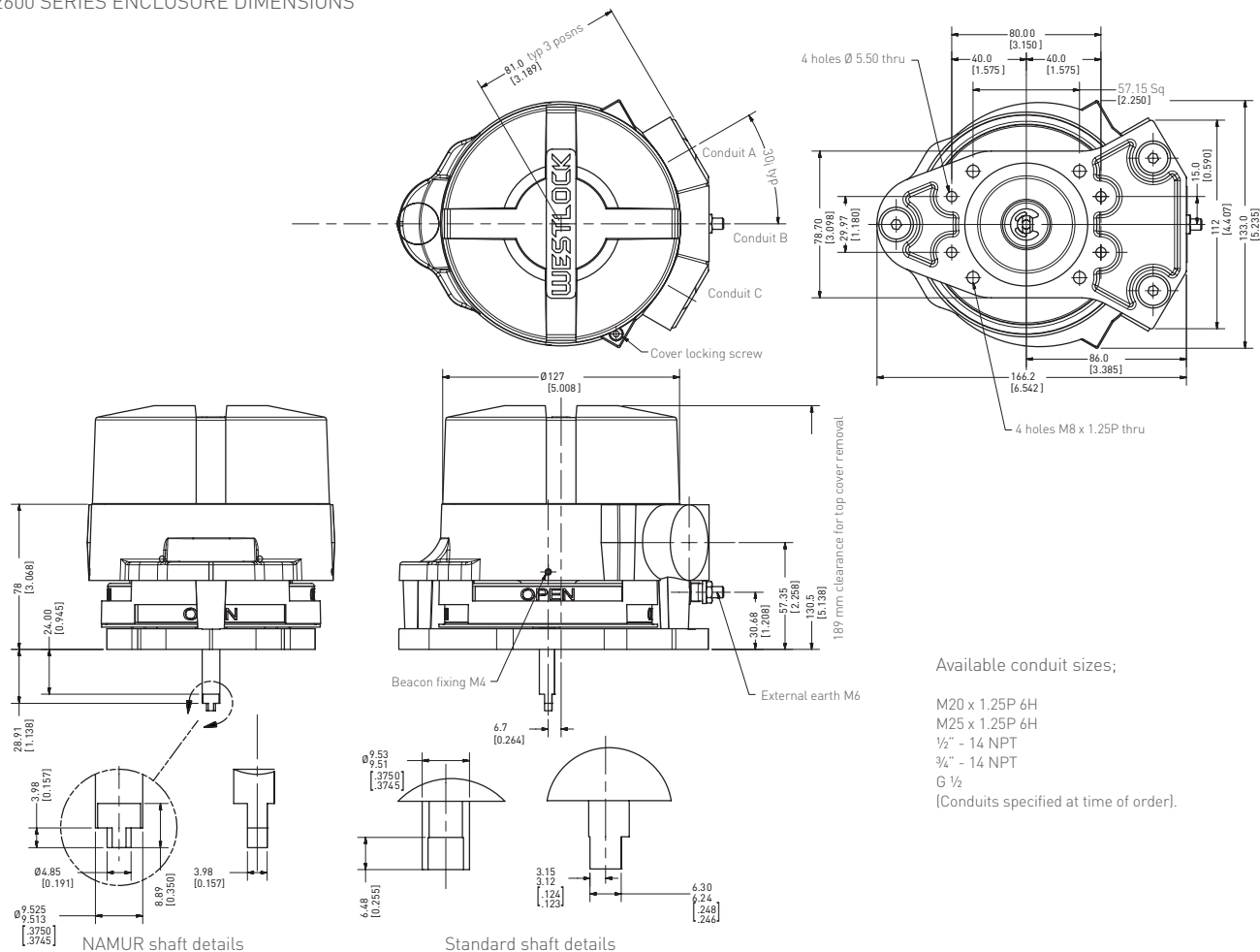
1. See selection guide for standard conduit entries
2. See switches and sensors data sheet for further information
3. Please consult your sales office for any other requirements



# ACCUTRAK™ ROTARY POSITION MONITORS

## FLAMEPROOF - ATEX/IEC

### 2600 SERIES ENCLOSURE DIMENSIONS



Available conduit sizes;

- M20 x 1.25P 6H
  - M25 x 1.25P 6H
  - 1/2" - 14 NPT
  - 3/4" - 14 NPT
  - G 1/2
- [Conduits specified at time of order].

Dimensions in mm, imperial dimensions (inches) in parenthesis

### TECHNICAL SPECIFICATIONS

Materials of construction	
Enclosure	Aluminum with powder coat finish Stainless steel with electropolished finish
Temp. range	-60°C to +110°C
Shaft and hardware	Stainless steel with electropolished finish
Bushing	Oil impregnated bronze (aluminum enclosure) PTFE (stainless steel enclosure)
Beacon visual indicator	Co-polyester
Drive shaft	
Westlock standard	Double-D with 1/4" A/F
NAMUR standard	NAMUR standard VDI/VDE 3845
Available switches	
	V3 SPDT mechanical switches DPDT mechanical switches V3 slotted and barrel inductive proximity sensors Magnum SPDT (hermetically sealed proximity type) switches

### NOTES

- See selection guide for standard conduit entries
- See switches & sensors data sheet for further information
- Please consult your sales office for any other requirements



# ACCUTRAK™ ROTARY POSITION MONITORS

## 2200 SERIES SELECTION GUIDE

<b>Housing</b>												
22	2200 with flanged lid											
<b>Cover style</b>												
4	With Beacon visual indication											
6	No visual indication											
<b>Switch type</b>												
3	GO switch SPDT											
5	Microswitch SPDT contacts											
6	Microswitch DPDT contacts											
7	Inductive sensor											
9	Magnum proximity switch											
0	No switches fitted											
<b>Material</b>												
A	Aluminum											
S	Stainless steel											
<b>Beacon type and color</b>												
BY	Black/Yellow				B1	BM3-1 pattern 90°						
AR	ANSI Red/White				B3	BM3-3 pattern 90°						
GR	Green/Red				B5	BM3-5 pattern 90°						
00	No Beacon fitted				B7	BM3-7 pattern 180°						
					B9	BM3-9 pattern 180°						
<b>Drive shaft type</b>												
S	Westlock standard - 1/4" A/F (6.32 mm)											
N	NAMUR standard shaft - VDI/VDE 3845											
*	Non-standard (consult sales office)											
<b>Ancillary options</b>												
000	No ancillary options											
***	Non-standard material and build (consult sales office)											
<b>Switch/sensor quantity</b>												
0	No switch/sensor fitted											
1	One switch/sensor											
2	Two switches/sensors											
3	Three switches/sensors											
4	Four switches/sensors											
5	Five switches/sensors (consult sales office)											
6	Six switches/sensors (consult sales office)											
<b>Conduit entries supplied</b>												
2	Two entries - standard											
4	Four entries (consult sales office)											
<b>Unit specification</b>												
AAA	Standard build- M20 conduit entries											
ADZ	3/4" NPT conduit entries											
DAV	M25 conduit entries											
FAN	1/2" NPT conduit entries											
***	Non-standard material (consult sales office)											
<b>Certification</b>												
A	ATEX & IECEx											
*	Other options (consult sales office)											
<b>Revision</b>												
R*	Internal revision #											
22	4	9	A	BY	N	000	2	2	AAA	A	R1	= Model number <b>2249ABYN00022AAA-AR1</b>

### NOTES

1. Please contact your sales office for guidance on selecting the best possible combination for your control and monitoring requirements.
2. See Hazardous area classification technical bulletin for further information on global standards.

# ACCUTRAK™ ROTARY POSITION MONITORS

## 2600 SERIES SELECTION GUIDE

<b>Housing</b>												
26	2600 with screw lid											
<b>Cover style</b>												
4	With Beacon visual indication											
6	No visual indication											
<b>Switch type</b>												
5	Microswitch SPDT contacts											
6	Microswitch DPDT contacts											
7	Inductive sensor											
9	Magnum proximity switch											
0	No switches fitted											
<b>Material</b>												
A	Aluminum											
S	Stainless steel											
<b>Beacon type and color</b>												
BY	Black/Yellow					B1	BM3-1 pattern 90°					
AR	ANSI Red/White					B3	BM3-3 pattern 90°					
GR	Green/Red					B5	BM3-5 pattern 90°					
00	No Beacon fitted					B7	BM3-7 pattern 180°					
						B9	BM3-9 pattern 180°					
<b>Drive shaft type</b>												
S	Westlock standard - ¼" A/F (6.32 mm)											
N	NAMUR standard shaft - VDI/VDE 3845											
*	Non-standard (consult sales office)											
<b>Ancillary options</b>												
000	No ancillary options											
***	Non-standard material and build (consult sales office)											
<b>Switch/sensor quantity</b>												
0	No switch/sensor fitted											
1	One switch/sensor											
2	Two switches/sensors											
3	Three switches/sensors (consult sales office)											
4	Four switches/sensors (consult sales office)											
<b>Conduit entries supplied</b>												
2	Two entries - standard											
3	Three entries											
4	Four entries (consult sales office)											
<b>Unit specification</b>												
AAA	Standard build- M20 conduit entries											
ADZ	¾" NPT conduit entries											
DAV	M25 conduit entries											
FAN	½" NPT conduit entries											
***	Non-standard material (consult sales office)											
<b>Certification</b>												
A	ATEX & IECEx											
*	Other options (consult sales office)											
<b>Revision</b>												
R*	Internal revision #											
26	4	9	S	BY	N	000	2	2	AAA	A	R1	= Model number <b>2649SBYN0002AAA-AR1</b>

### NOTES

1. Please contact your sales office for guidance on selecting the best possible combination for your control and monitoring requirements.
2. See Hazardous area classification technical bulletin for further information on global standards.







**Valve  
& Automation**  
Total Valve & Control Solutions®

**VEREENIGING**

Tel: 011 397 2833

Fax: 011 397 4700

**DURBAN**

Tel: 031 579 2593

Fax: 031 579 2562



E-mail: [sales@valve.co.za](mailto:sales@valve.co.za)

Exports: [africaexports@valve.co.za](mailto:africaexports@valve.co.za)

[www.valve.co.za](http://www.valve.co.za)



SCAN ME